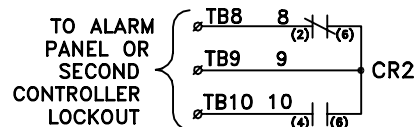
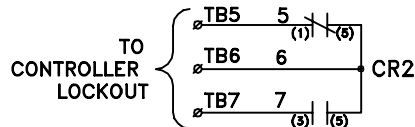
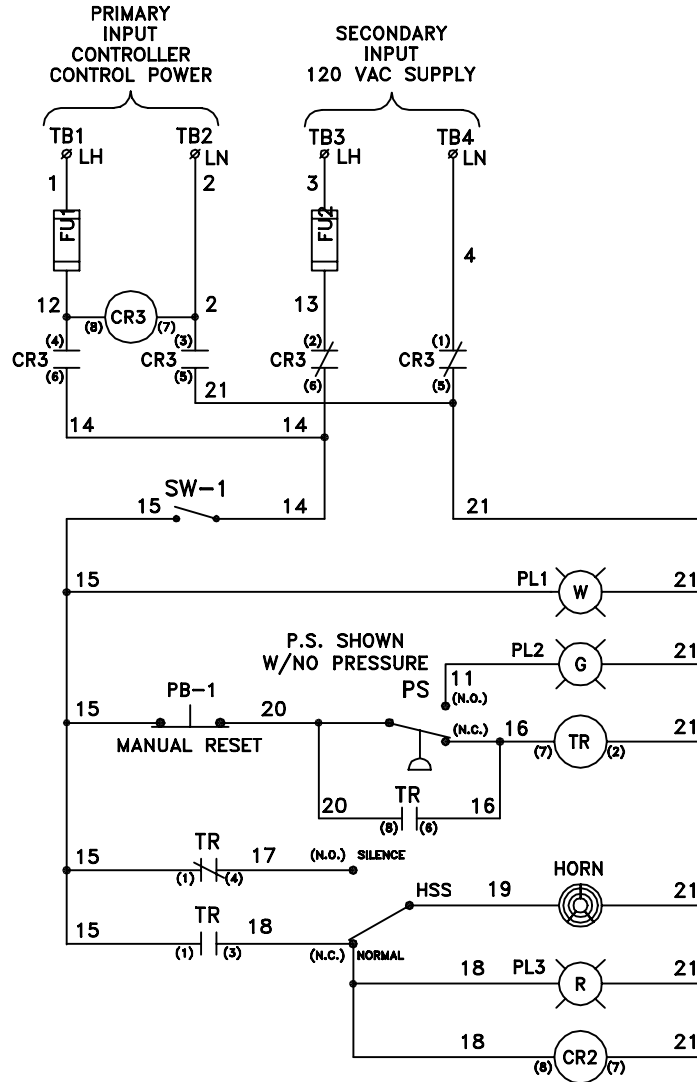


Schematic Diagram

Low Suction Pressure Alarm and Shutdown Panel
(Manual) For Electric or Diesel Pump Controller

LX-960A



PB-1	MANUAL RESET PUSHBUTTON
TR	TIMING RELAY
CR2-CR3	CONTROL RELAY
PS	PRESSURE SWITCH
SW-1	ON/OFF SWITCH
HSS	HORN SILENCE SWITCH
PL1	LINE POWER AVAIL. LIGHT
PL2	NORMAL PRESSURE LIGHT
PL3	LOW PRESSURE LIGHT
FU1,FU2	FUSE
SYMBOL	DESCRIPTION



HUBBELL / INDUSTRIAL CONTROLS, INC.
50 Edwards Street
Madison, Ohio 44057

DATE:	REV.
5/12/00	A
DRAWING NUMBER:	
PC-90362-015	